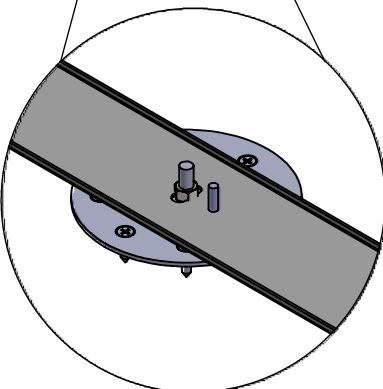
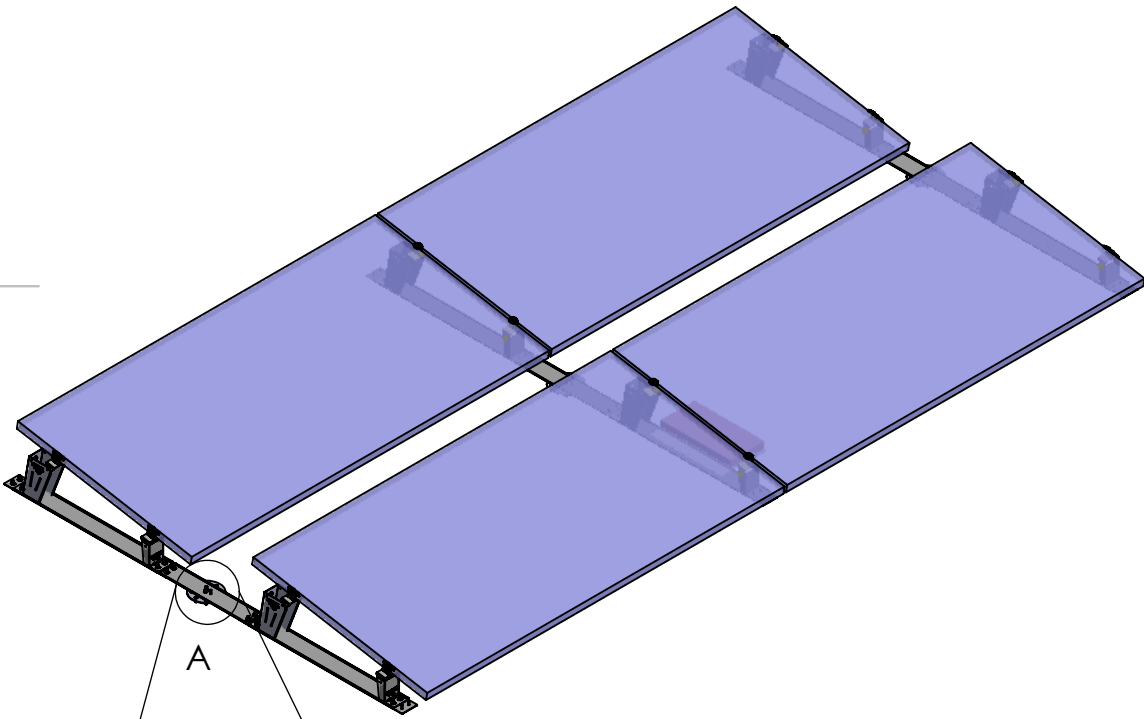
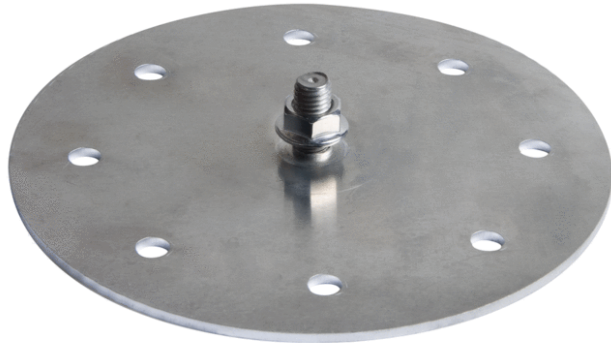
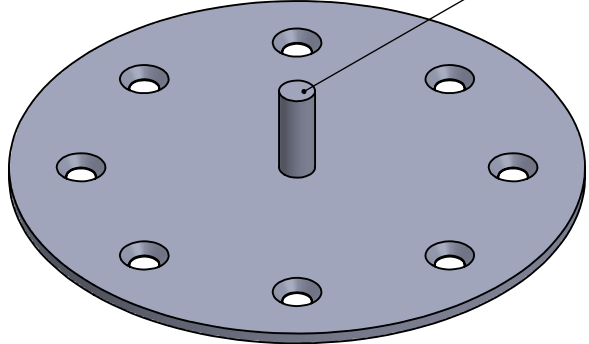


GRIPRAC System Datasheet

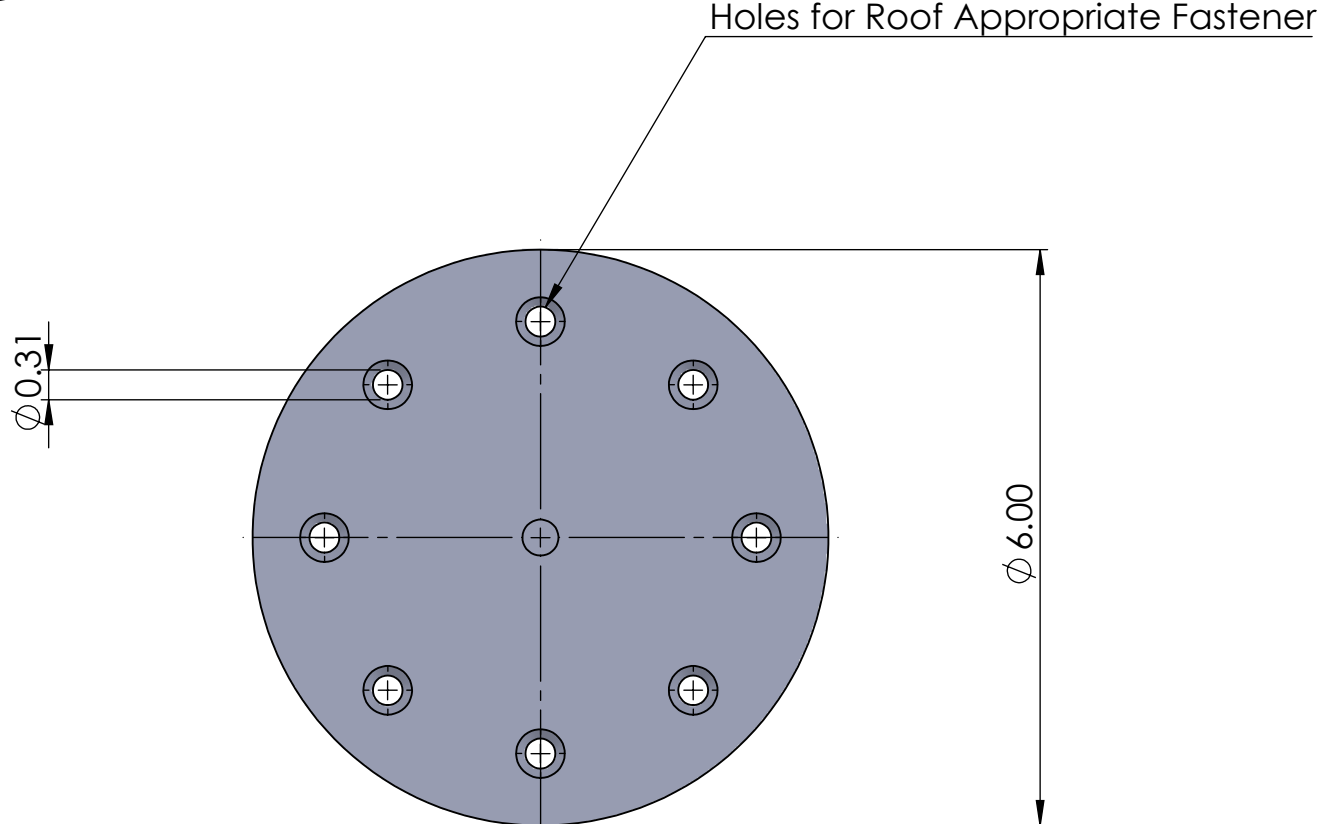
Seismic Attachment




DETAIL A



3/8 -16 Inch Stud for 3/8 Serrated Hex Flange Nut



Holes for Roof Appropriate Fastener

DIMENSIONS ARE IN INCHES		NAME		DATE			
Unspecified Tolerances to be:		DRAWN	S. Zaei	11/20/18			
x°	±2°	CHECKED	S. Zaei	12/11/18		TITLE: Seismic Attachment	
x	±1	ENG APPR.	M. Yurttas	01/15/19		PART NUMBER: GB-SAP	
x.x	±0.1	MFG APPR.	B. Sinci	01/15/19		REV B	
x.xx	±0.01	COMMENTS:		SIZE B		SCALE: 1:3WEIGHT: 0.36lbs SHEET 1 OF 1	
x.xxx	±0.005						
PROPRIETARY AND CONFIDENTIAL THE INFORMATION CONTAINED IN THIS DRAWING IS THE SOLE PROPERTY OF GRIPRAC. ANY REPRODUCTION IN PART OR AS A WHOLE WITHOUT THE WRITTEN PERMISSION OF ORION SOLAR RACKIN IS PROHIBITED.		INTERPRET GEOMETRIC TOLERANCING PER: MATERIAL AL 5052-H32 FINISH Unspecified					
APPLICATION		DO NOT SCALE DRAWING					