

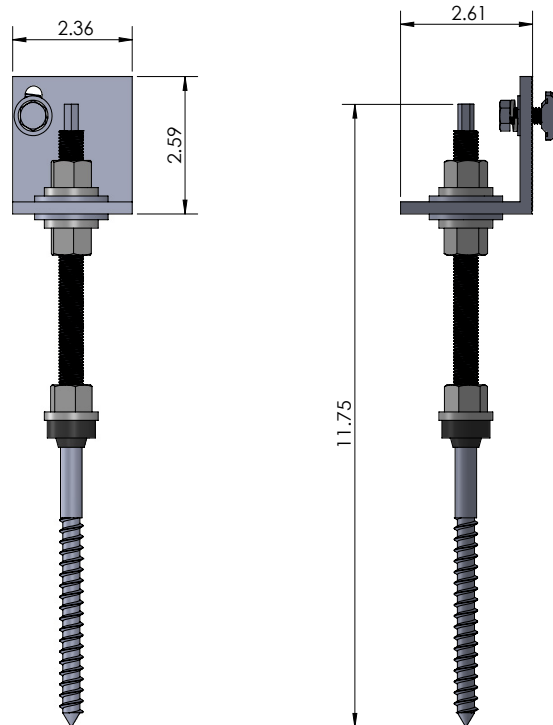


Hanger Bolts for Metal Roof

			
Hanger Bolt for Wooden Rafter		Hanger Bolt for Metal Rafter	
Part #	Description	Part #	Description
GR-HHB-M10X-200MM-L	Heavy Hanger Bolt for metal roof with wooden rafter	GR-HHB-M10X-200MM-M	Heavy Hanger Bolt for metal roof with metal rafter



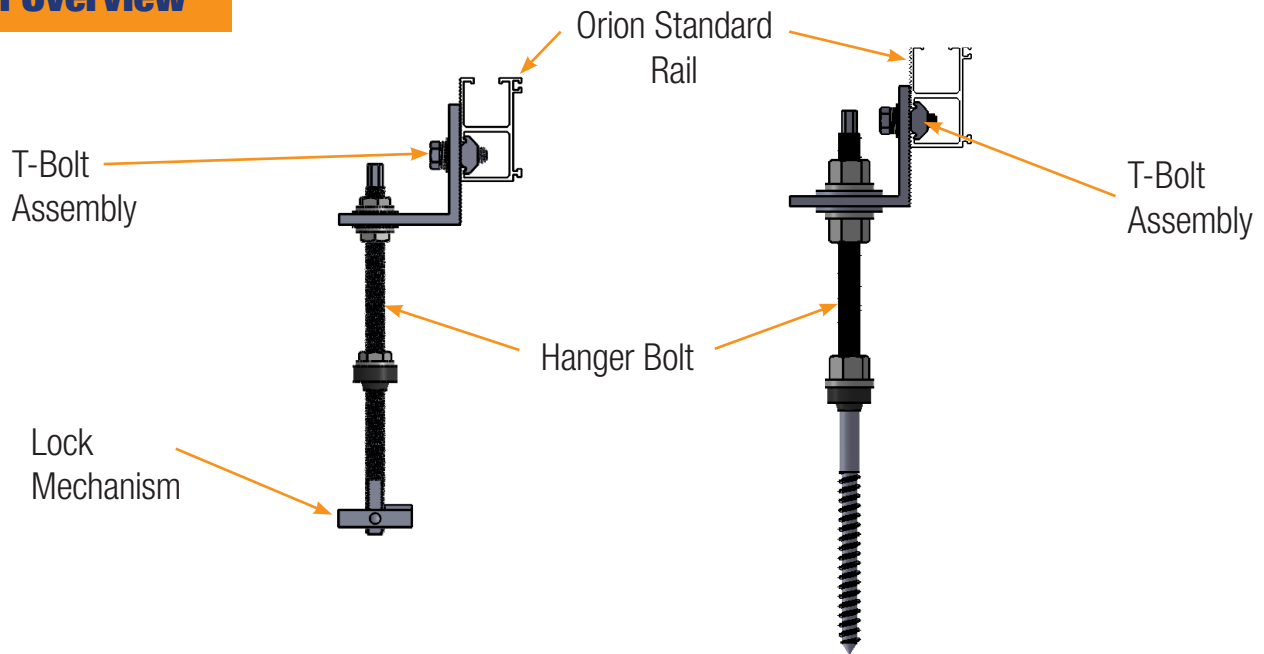
Features:

- Weight: 1.688lb
- Angle Material: 6000 Series Aluminum
- Hardware Material: 300 Series Stainless Steel
- Also available for metal rafters
- Available in sizes M12x300mm and M10x200mm



Hanger Bolts for Metal Roof

Installation Overview



- Locate rafters beneath metal roof and mark location of attachment.
- Pre-drill through metal roof and through rafter.
- Drill hanger bolt through pilot hole, and adjust rubber grommet such that it creates a tight seal with metal roof.
- If metal rafter, make sure to flip lock mechanism at end to prevent hanger bolt from slipping out.
- Once secure and sealed tight, use T-Bolt assembly to attach to rail.

