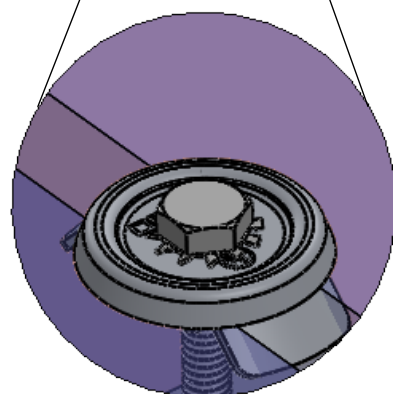
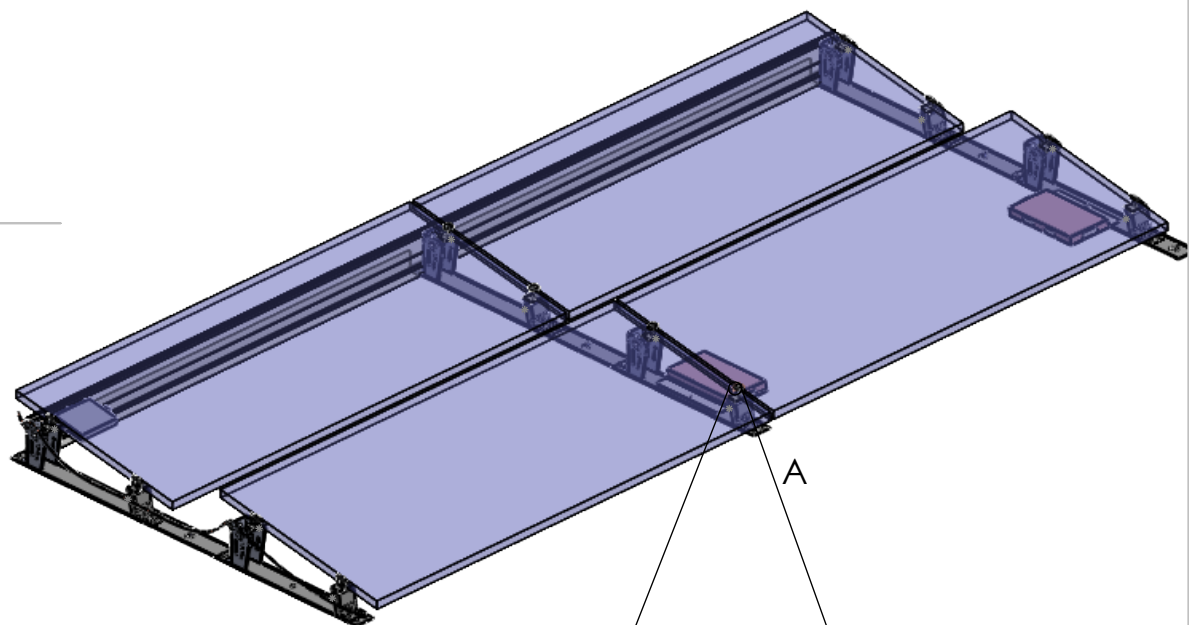
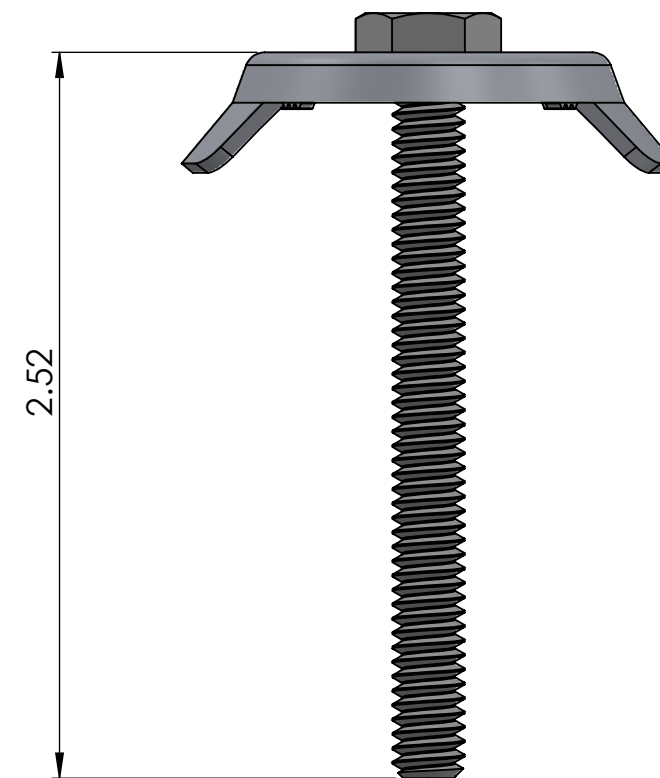
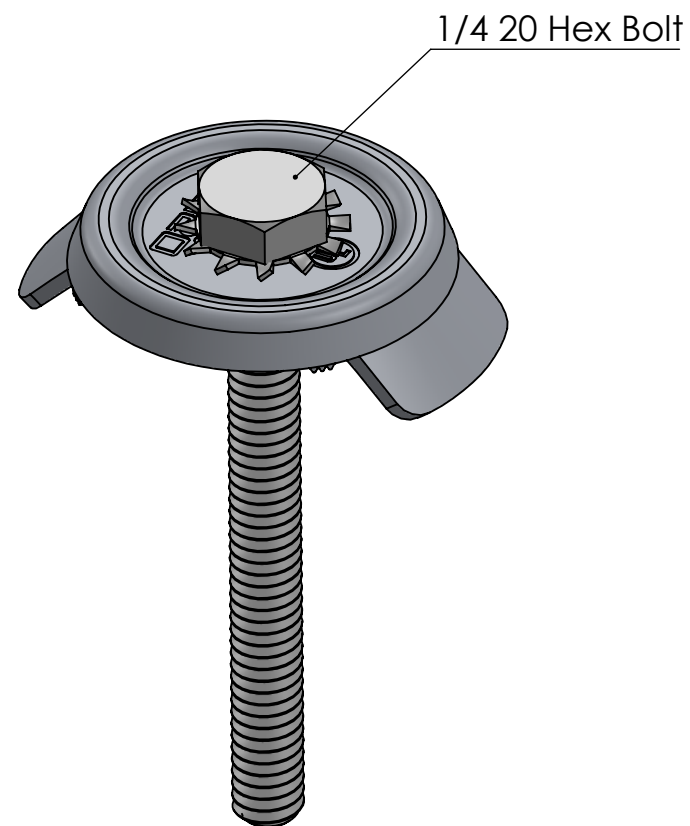



GRIPRAC System Datasheet

Grounding Mid Clamp



DETAIL A
SCALE 1 : 1



		DIMENSIONS ARE IN INCHES			
Unspecified Tolerances to be:			NAME	DATE	
x°	±2°	DRAWN	S. Zaei	11/20/18	
x	±1	CHECKED	S. Zaei	12/11/18	
x.x	±0.1	ENG APPR.	M. Yurttas	01/15/19	
x.xx	±0.01	MFG APPR.	B. Sinci	01/15/19	
x.xxx	±0.005	COMMENTS:		 TITLE: Grounding Mid Clamp PART NUMBER: GB-MC-G REV B SCALE: 1:3 WEIGHT: 0.07lbs SHEET 1 OF 1	
PROPRIETARY AND CONFIDENTIAL		INTERPRET GEOMETRIC TOLERANCING PER:			
THE INFORMATION CONTAINED IN THIS DRAWING IS THE SOLE PROPERTY OF GRIPRAC. ANY REPRODUCTION IN PART OR AS A WHOLE WITHOUT THE WRITTEN PERMISSION OF ORION SOLAR RACKIN IS PROHIBITED.		MATERIAL 300 Series Stainless Steel			
FINISH Unspecified		SIZE B			
APPLICATION DO NOT SCALE DRAWING					