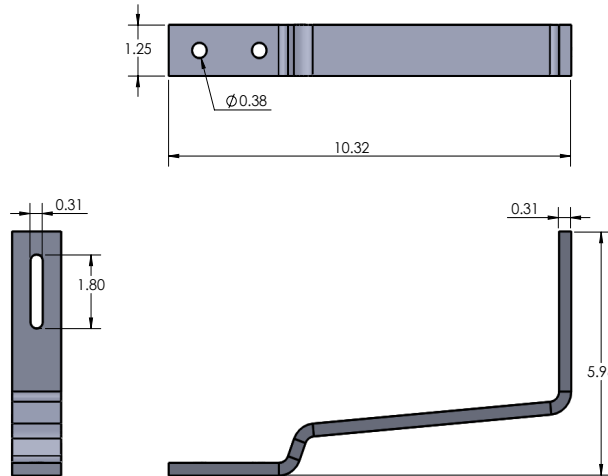


## Flat Tile Hook



Part #	Rail Orientation
GR-HK-FLT-H	Horizontal
GR-HK-FLT-V	Vertical



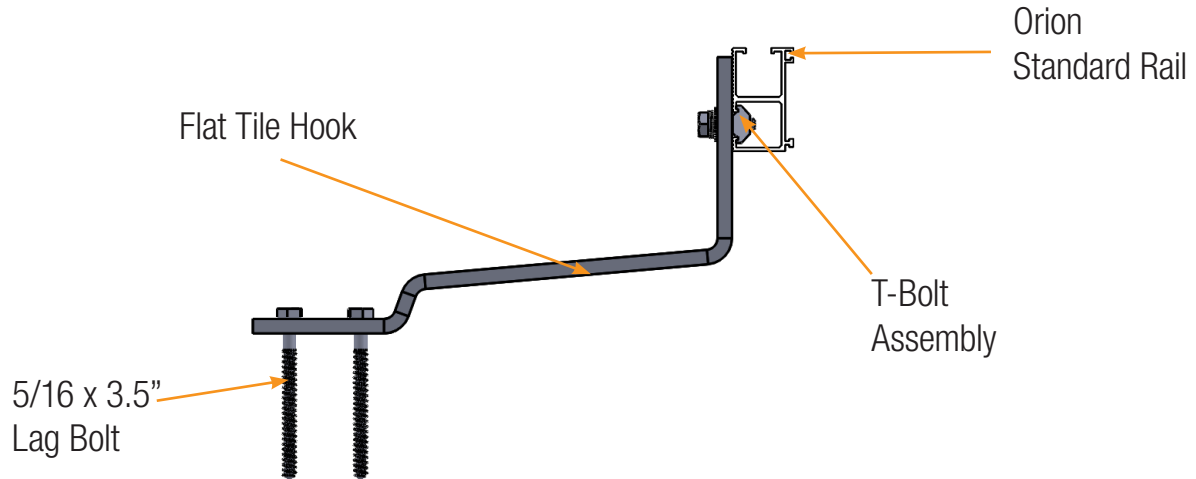
### Features:

- Weight: 1.688lb
- Material: Galvanized Steel
- Hardware Material: 300 Series Stainless Steel
- Pre-assembled



## Flat Tile Hook

### Installation Overview



- Remove tile and locate rafters. Drill 1/4" holes and backfill with sealant.
- Align Flat Tile Hook such that the Flat Tile Hook attaches to rafter and rests over preceding Flat Tile.
- Take 5/16 x 3.5: Lag Bolts and tighten into rafter, and replace Flat Tile over hook.
- Use T-Bolt assembly to attach to rail.

