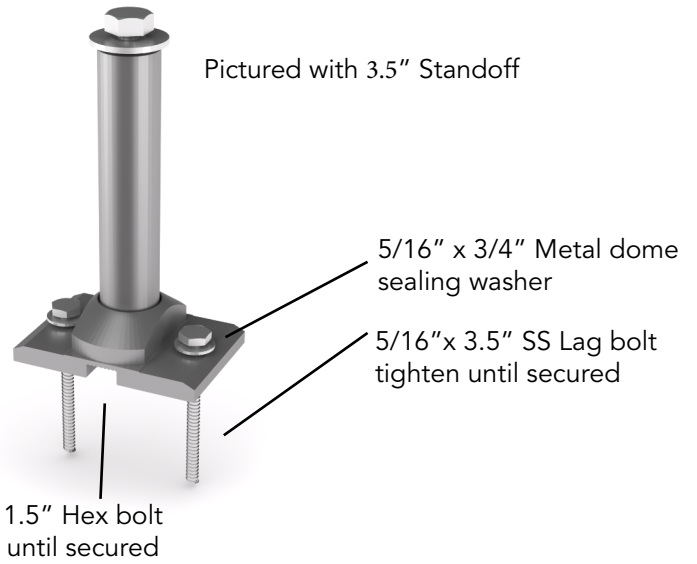
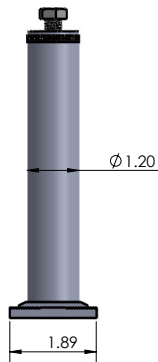
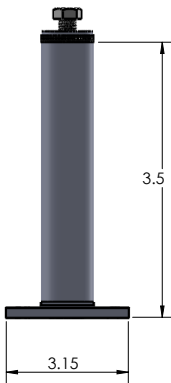


## Standoffs



### Features:

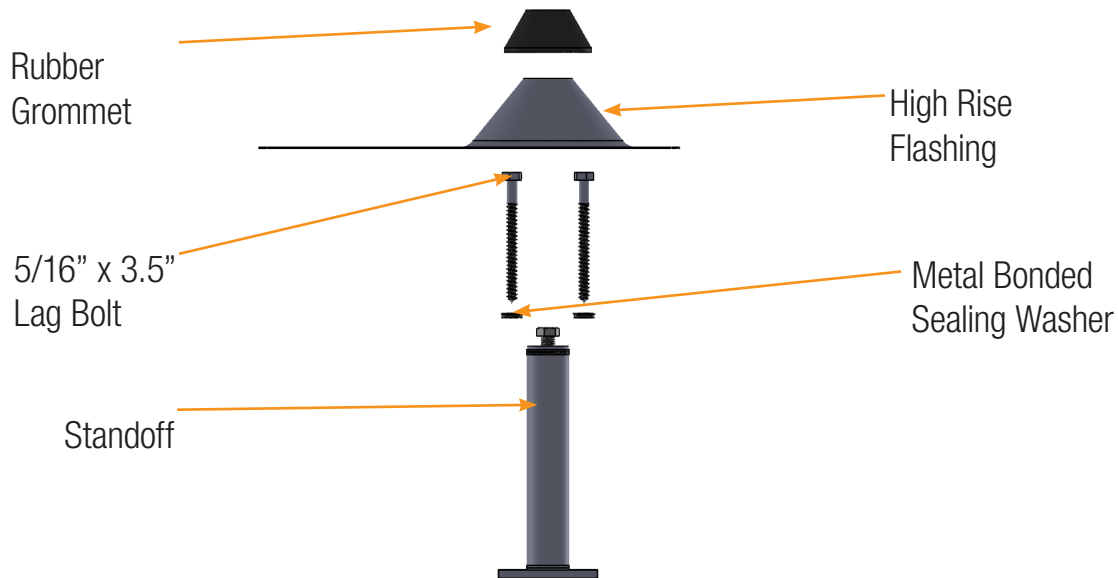
- Material 6063 T6 Aluminum
- Hardware Material: 300 Series Stainless Steel
- Available in 3" or 6"
- Weight:

Length	Weight (lbs)
3in	0.3625
6in	0.48



## Standoffs

### Installation Overview



- Locate rafters and chalk horizontal and vertical lines to mark location of penetrations. Drill 1/4" holes and backfill with sealant.
- Place standoff in desired location and take 5/16" x 3/5" lag bolt and tighten into rafter.
- Take High Rise Flashing and place over standoff, ensuring that at least half the flashing slides under composition shingle.
- Take rubber grommet and place over standoff, ensuring water-tight fit.

### Completed Install

