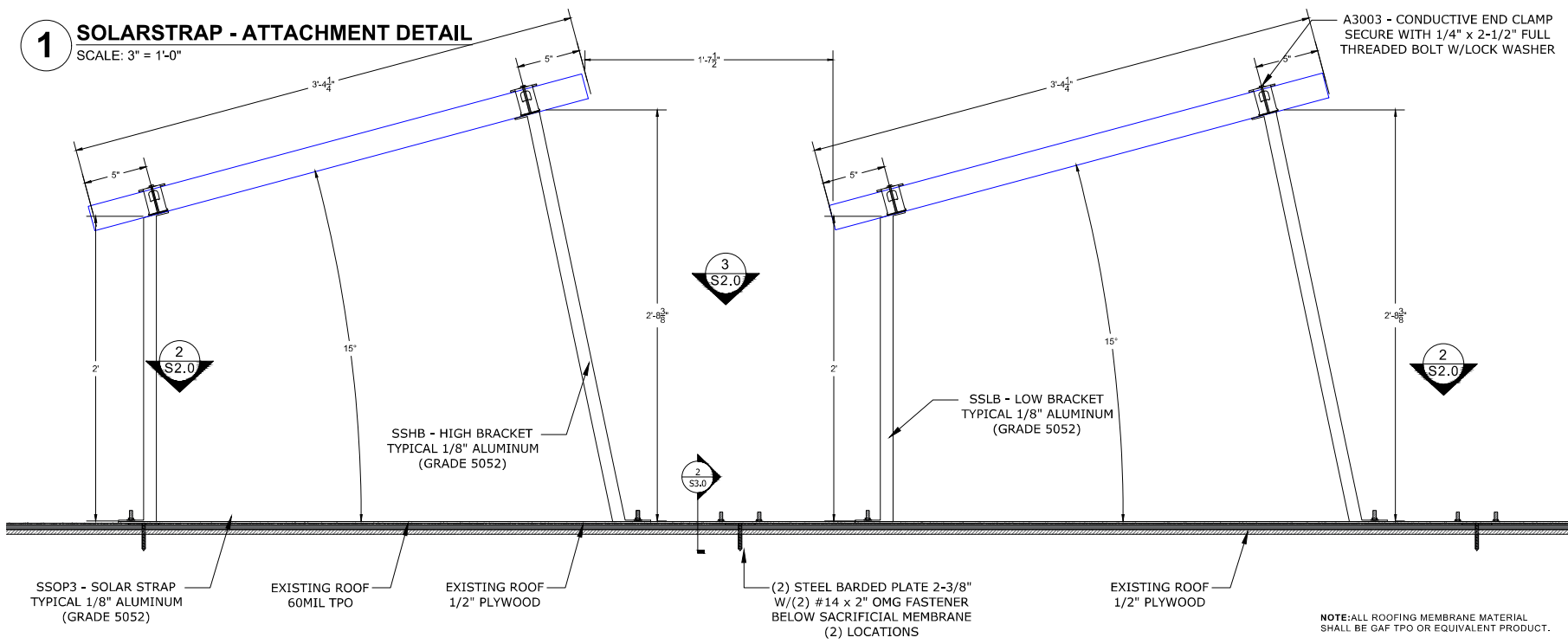
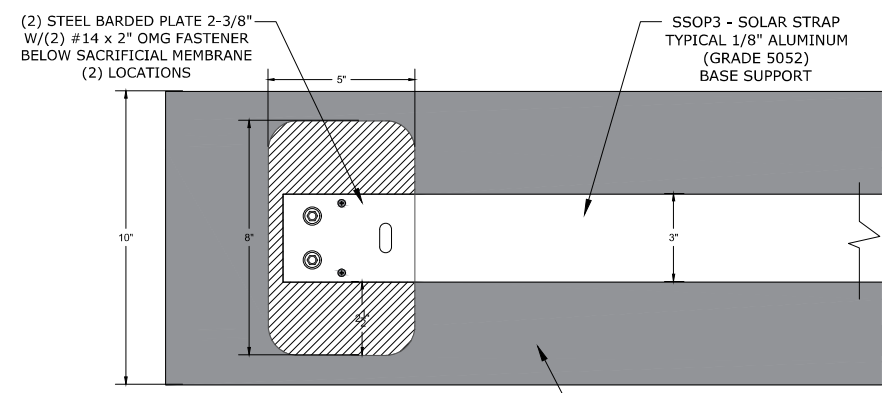


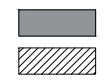
1 SOLARSTRAP - ATTACHMENT DETAIL
SCALE: 3" = 1'-0"



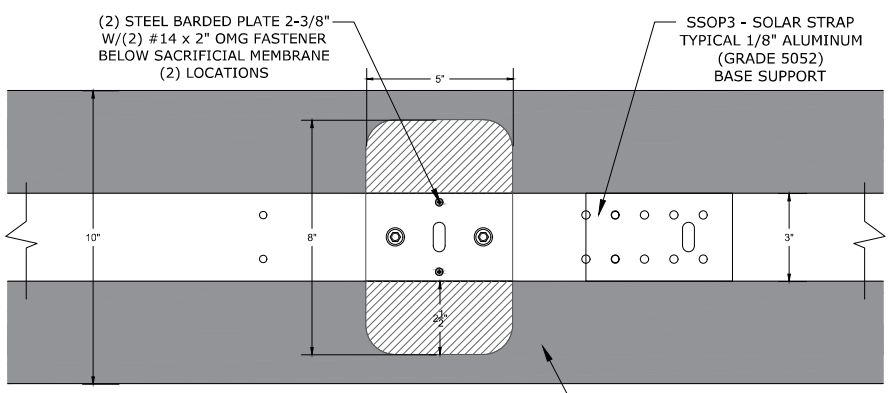
2 SOLARSTRAP - FRONT & END ATTACHMENT DETAIL
SCALE: 6" = 1'-0"



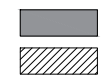
- TPO/PVC WELDING KEY:**
- ① 10" SINGLE PLY MEMBRANE - HEAT WELDED TO EXISTING ROOF 2" ALL AROUND
 - ② 5" x 8" TIE DOWN - 2" WELD TO 10" SINGLE PLY MEMBRANE BOTH SIDES



3 SOLARSTRAP - MID ATTACHMENT DETAIL
SCALE: 6" = 1'-0"



- TPO/PVC WELDING KEY:**
- ① 10" SINGLE PLY MEMBRANE - HEAT WELDED TO EXISTING ROOF ALL ROUND
 - ② 5" x 8" TIE DOWN - 2" WELD TO 10" SINGLE PLY MEMBRANE BOTH SIDES



Revision	Description	Date

SOLARSTRAP RACKING DETAIL

Project Name _____

Date 03/11/20

Drawn By CDS

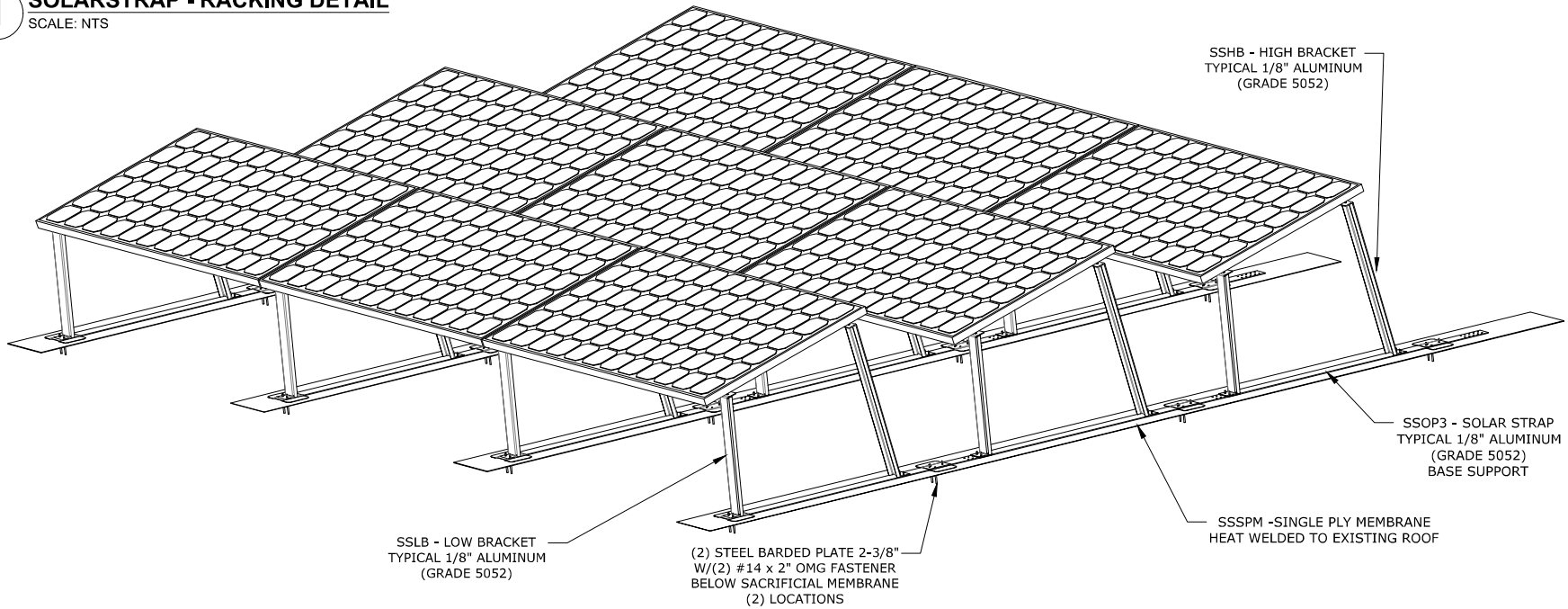
Scale AS NOTED

S2.0

1

SOLARSTRAP - RACKING DETAIL

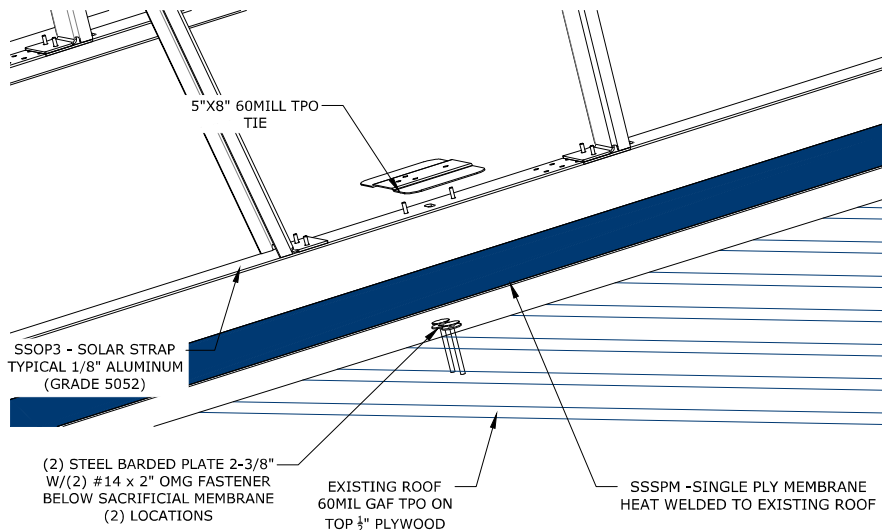
SCALE: NTS



2

SOLARSTRAP - EXPLODED ATTACHMENT DETAIL

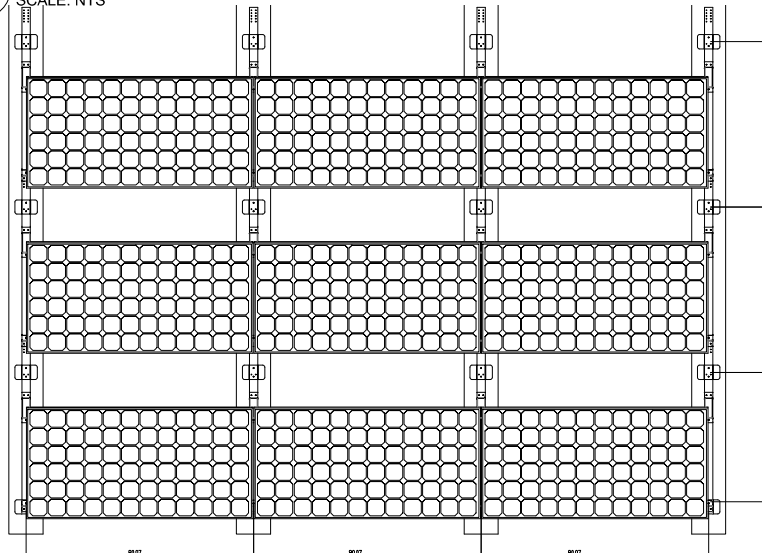
SCALE: NTS



3

SOLARSTRAP - MOUNTING DETAIL

SCALE: NTS



Revision Description Date

SOLARSTRAP RACKING DETAIL

Project Name

Date 03/11/20

Drawn By CPS

Scale AS NOTED

S3.0